



# CentraMist Tower Fan Manual

*360° Misting*



# **HydroMist™**

a division of Flame Technologies, Inc.

P.O. Box 1776  
Cedar Park, TX 78630

Call: 512-225-0923

Email: [orders@hydromistusa.com](mailto:orders@hydromistusa.com)

<http://www.HydroMistUSA.com>

©2018 HydroMist. All rights reserved.

Updated 09/27/18.

The purpose of this document is to be informative, and as such is not guaranteed to be error-free. HydroMist takes steps to ensure that our information is correct and as error-free as is reasonable. Please let us know if you believe you found a typo or error.

## Contents

---

Warnings . . . . .	5
What's In the Box . . . . .	6
Assembly . . . . .	8
Operation. . . . .	10
Power & Speed Control. . . . .	10
Misting. . . . .	10
Winterizing Instructions for Misting Fan Heads . . . . .	10
Replacement Parts . . . . .	10
Available CentraMist Fan Models . . . . .	11
HydroMist One (1) Year Limited Warranty . . . . .	11



## Warnings

Read and follow all instructions before operating fan. Do not use fan if any parts are damaged or missing. Do not bend blades.

Do not expose the fans to water from a high-pressure cleaner (pressure washer). Doing so could lead to electrical shock or damage to the motor.

Always disconnect fan from power outlet before cleaning, moving or repositioning.

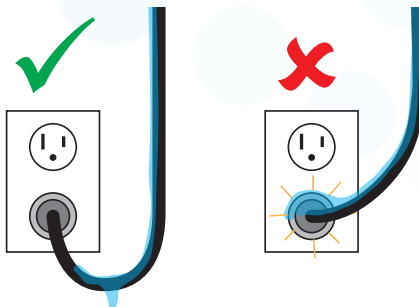
To clean, simply wipe down with soapy water & gently rinse with a hose. Dry fan before reconnecting to power outlet.

Never insert fingers or any other objects through grills while fan is operating.

Do not operate mist in freezing weather conditions. Misting components must be winterized to prevent damage.

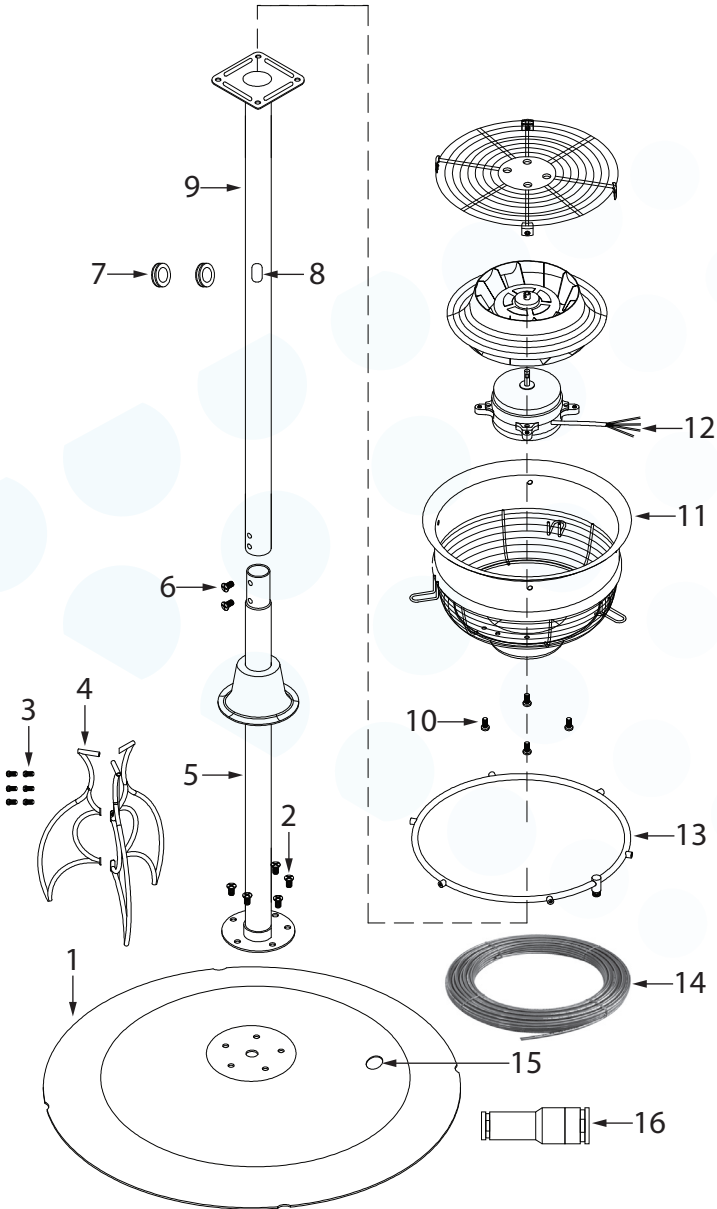
Motor bearings are sealed and do not require additional lubrication.

When securing power cables on outdoor installations, loop them below and back up to the power outlet. This makes any moisture collection on the cable drip to the floor instead of into the outlet.



Included instructions are written for U.S. wiring standards and building codes. Please refer to your local wiring standards and building codes to avoid complications or personal injury.

What's In the Box



#	DESCRIPTION	QTY
1	Pedestal Base	1
2	Pedestal Mounting Screw	4
3	Support Mounting Screw	6
4	Lower Support	3
5	Lower Pole	1
6	Pole Connecting Screw	2
7	Rubber Pole Grommets	2
8	Wire and Tube Routing Hole	2
9	Upper Pole	1
10	Upper Mounting Screws	4
11	Fan Head with Misting Nozzles (nozzles already installed)	1
12	Power Cord	1
13	Misting Ring	1
14	1/4-Inch Nylon Tube	1
15	Wire and Tube Exit Hole	1
16	3/8-Inch x 1/4-Inch Reducer	1

## Assembly

---

1. Attach Lower Pole (5) to Tower Base (1), using Tower Mounting Screws (2).
2. Attach Lower Supports (4) to the Lower Pole (5) using Support Mounting Screws (3).
3. Attach Upper Pole (9) to Fan Head (11) using Upper Mounting Screws (10).
4. Remove Pole Connecting Screws (6).
5. Slide Upper Pole (9) and attached Fan Head (11) onto Lower Pole (5), and re-install the Pole Connecting Screws (6).
6. Hold the assembly by the Upper Pole (9) close to the Fan Head (11) and SLOWLY tilt and lower the Fan Head (11) until the weight of the unit can be gently placed onto the ground. Be careful not to damage the Misting Ring (13) or any of its components
7. Push the Power Cord (12) through one of the Wire and Tube Routing Holes (8) until it exits the bottom of the Tower Base (1).
8. Route the Power Cord (12) up through the Wire and Tube Exit Hole (15) from the bottom side of the Tower Base (1).
9. Push the 1/4-Inch Nylon Tube (14) down through the unused Wire and Tube Routing Hole (8) until it comes out of the Tower Base.

*Note: Wire and tube should not both go into only one Tube Routing Hole (8). Be sure Rubber Pole Grommets (7) are still covering the hole edges.*

10. Route the 1/4-Inch Nylon Tube (14) up through the Wire and Tube Exit Hole (15).
11. Connect the top end of the 1/4-Inch Nylon Tube (14) to the inlet fitting on the Misting Ring (13). Be sure the tube is pushed in firmly to reduce the possibility of leakage.
12. Remove any remaining slack of the 1/4-Inch Nylon Tube (14) and Power

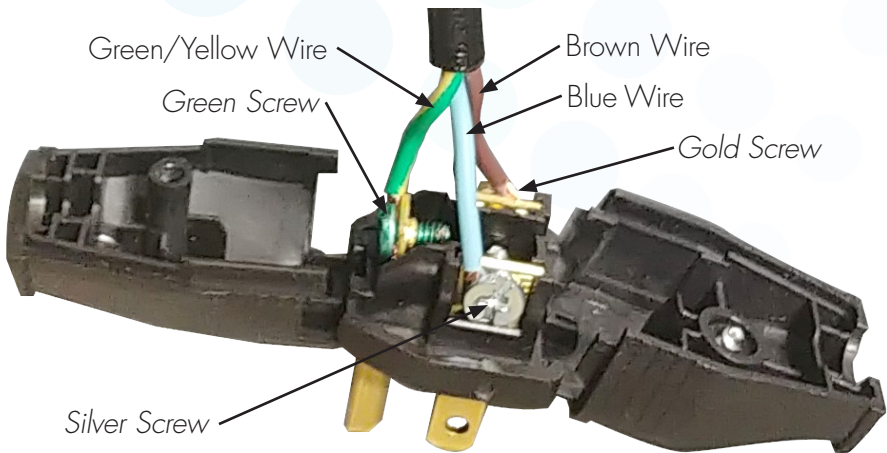


Cord (12) by pulling down on the free end underneath the Tower Base (1), and then repeat for the Wire and Tube Exit Hole (15).

13. Press the other end (bottom) of the 1/4-Inch Nylon Tube (14) into the the 3/8-Inch x 1/4-Inch Reducer fitting. Make sure to push the tube into the smaller end of the fitting, ensuring that the tube is inserted completely into the fitting. The 3/8-Inch side of the Reducer fitting connects to a misting pump.
14. Use needle nose pliers to bend the exposed wires of the power cord into a hook shape.



15. Place the correct wire clockwise around each terminal, under the screw head, so that tightening the screw draws the wire around the screw shaft. The three wires should be installed as shown below:
  - a. GOLD screw = BROWN wire
  - b. SILVER screw = BLUE wire
  - c. GREEN (Ground/Bottom) screw = GREEN/YELLOW wire



16. Close the clamshell plug and tighten the center screw. Do not pinch the wires when closing the clamshell.

## Operation

### Power & Speed Control

The tower fan model has a built-in switch, but does not have speed controls. It is *not* recommended to connect the fan power to a variable speed control (rheostat), as the motor is not designed to handle that.

### Misting

A high-pressure misting pump (sold separately) is required to use the misting function. See the misting pump's manual for operating instructions. HydroMist recommends the quiet Digi-Pro pump.

## Winterizing Instructions for Misting Fan Heads

1. Remove all nozzles from fan ring. This allows the nylon hose and rings to completely drain, which prevents breakage due to freezing.
2. Clean the nozzles with 50/50 diluted vinegar and warm water. Do not use harsh chemicals as they will harm the o-rings.
3. Store nozzles in a small container or baggie to prevent them from collecting dust while not in use.
4. For harsh winter weather conditions, cover or store the fan heads to prevent them from becoming damaged.

## Replacement Parts

Please contact HydroMist for pricing and availability of replacement parts.

## Available CentraMist Fan Models

PART NO.	DESCRIPTION
F10-14-018	20" Black Ceiling Misting Fan with 5 Nozzles
F10-14-019	20" White Ceiling Misting Fan with 5 Nozzles
F10-14-020	20" White Tower Misting Fan with 5 Nozzles

## HydroMist One (1) Year Limited Warranty

All HydroMist products are warranted for a period of one (1) year for defects in workmanship and materials under normal use and service. This warranty is extended solely to the original purchaser. In order to initiate this warranty, the product registration form must be completed and sent to HydroMist, along with a copy of the purchase invoice, within 30 days of purchase.

In General: If a HydroMist product fails because of defect in material or workmanship under normal use and maintenance within one year from date of purchase, we will, at our option and after inspection, repair or replace the defective product.

About Your Warranty: Fan products, like all mechanical devices, need periodic parts and service to perform well. Normal use and service means not to operate in excess of recommended maximum speeds, pressures, temperatures or using fluids not recommended or compatible with component materials.

